

Burners for Incineration Plants



Picture: EGK Entsorgungsgesellschaft
Krefeld GmbH & Co. KG

DEUTSCHLAND

BLOOM ENGINEERING
(EUROPA) GMBH

Büttgenbachstraße 14
D-40549 Düsseldorf

Phone: +49-211-50091-0
Fax: +49-211-50091-14

info@bloomeng.de
www.bloomeng.de

USA

BLOOM ENGINEERING CO.,
INC.

5460 Horning Road
Pittsburgh, PA 15236

Phone: +1-412-6533500
Fax: +1-412-6532253

info@bloomeng.com
www.bloomeng.com

CHINA

BLOOM COMBUSTION PRODUCTS CO. LTD.

No.128 Min Xue Road
Cao Lu Industrial Complex
Pudong New Area
Shanghai, 201209
P. R. of China

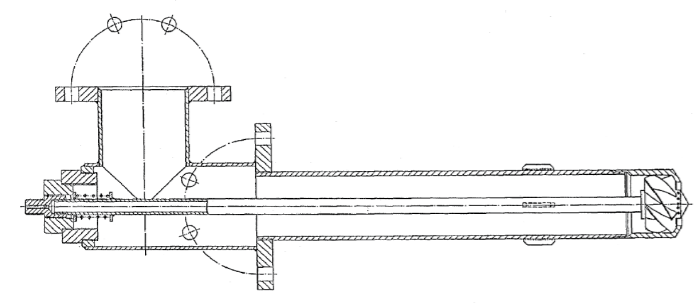
Phone: +86-21-68723278
Fax: +86-21-68723279

bwei@bloomcomb.com
www.bloomcomb.com

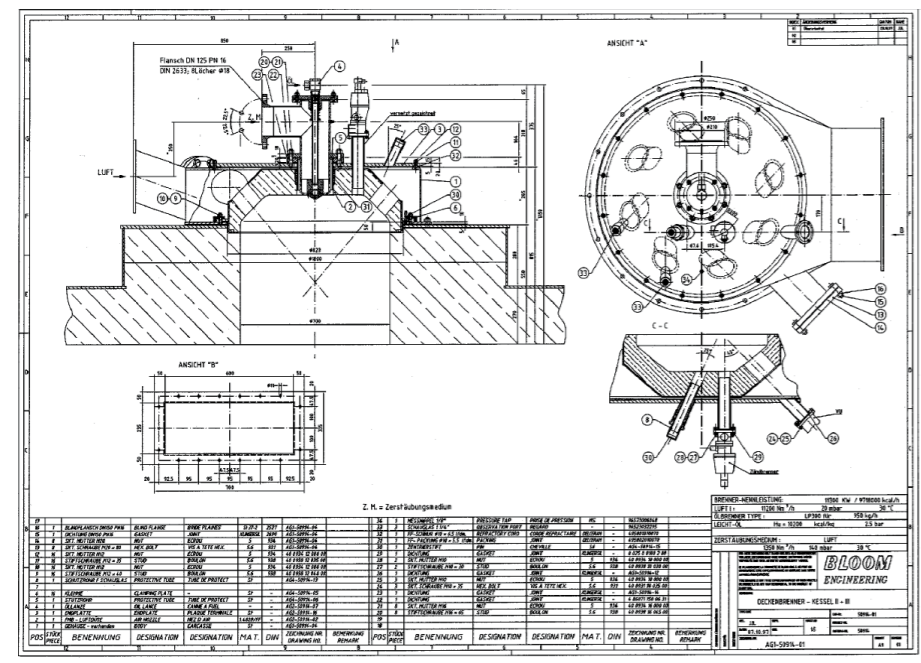
BLOOM ENGINEERING (EUROPA) GMBH

Services

- Basic and detail engineering for burner plants
- Feasibility studies
- Supply of burners and peripheral equipment
- Rebuild and repair of existing heat equipments
- Spare parts distribution
- Service and commissioning



BLOOM low pressure diffuser



Roof burner with low pressure diffuser, 1,000 kg/h light oil

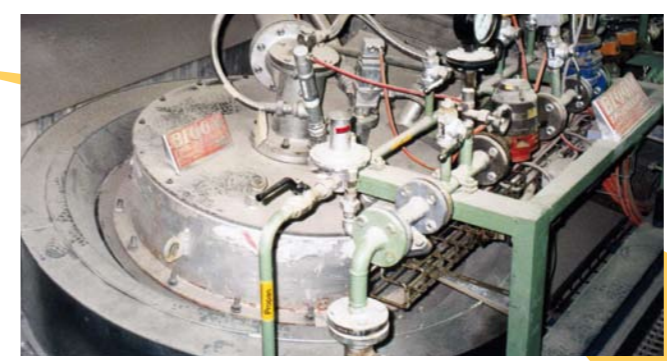
Burners for Incineration Plants

Product Features

- Construction adapted to plant
- Simple and rugged design
- No moving parts
- Ceramic air baffle protecting burner from back-radiation of combustion chamber
- Applicable for process temperature up to 1,500 °C
- No special shut-off valves or cooling air necessary
- Available for gas and liquid fuels or for a combination of both
- Low maintenance, very low maintenance costs
- Good flame characteristics: Length and diameter of flame adapted to client's demands
- Observance of CO emission according to the Federal Immission Control Act („BlmSchG“) at start-up and closing down process garbage boiler

References

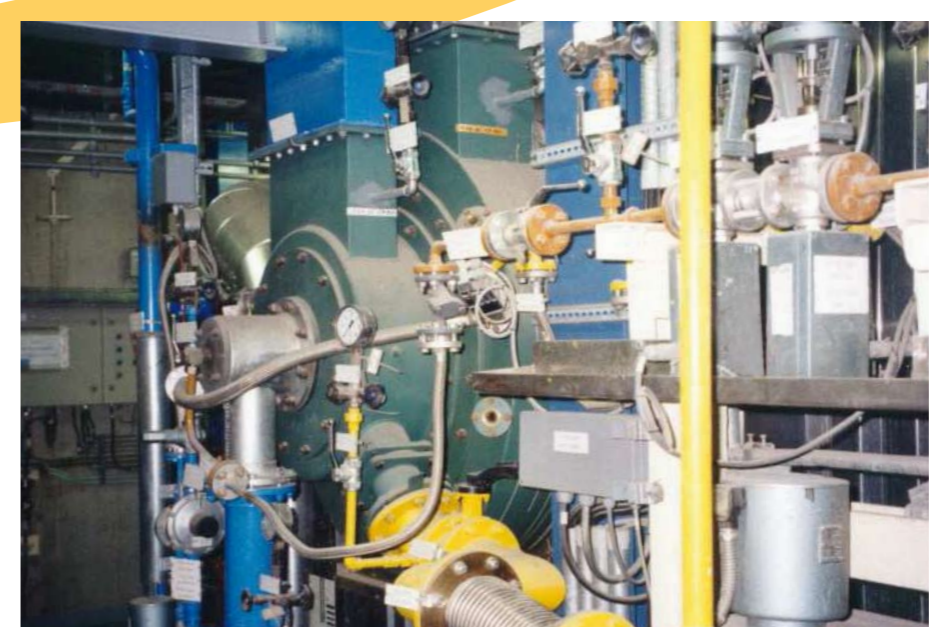
- Supply of burners for ignition and support firing at more than 25 garbage boilers worldwide
- Burner rebuilds at garbage boilers including assembly, commissioning, approval by German Boiler Code, and engineering
- Burners for natural gas, marsh gas and light oil



Roof burner with low pressure diffuser, 1,000 kg/h fuel oil
TWL Technische Werke Ludwigshafen AG



Roof burner within combustion chamber, 1,000 kg/h fuel oil
TWL Technische Werke Ludwigshafen AG



Side wall burner, 750 kg/h light oil resp. 500 Nm³/h marsh gas
EGK Entsorgungsgesellschaft Krefeld GmbH & Co. KG