

1030 Sinter Burner™



DEUTSCHLAND

BLOOM ENGINEERING
(EUROPA) GMBH

Büttgenbachstraße 14
D-40549 Düsseldorf

Phone: +49-211-50091-0
Fax: +49-211-50091-14

info@bloomeng.de
www.bloomeng.de

USA

BLOOM ENGINEERING CO.,
INC.

5460 Horning Road
Pittsburgh, PA 15236

Phone: +1-412-6533500
Fax: +1-412-6532253

info@bloomeng.com
www.bloomeng.com

CHINA

BLOOM COMBUSTION PRODUCTS CO. LTD.

No.128 Min Xue Road
Cao Lu Industrial Complex
Pudong New Area
Shanghai, 201209
P. R. of China

Phone: +86-21-68723278
Fax: +86-21-68723279

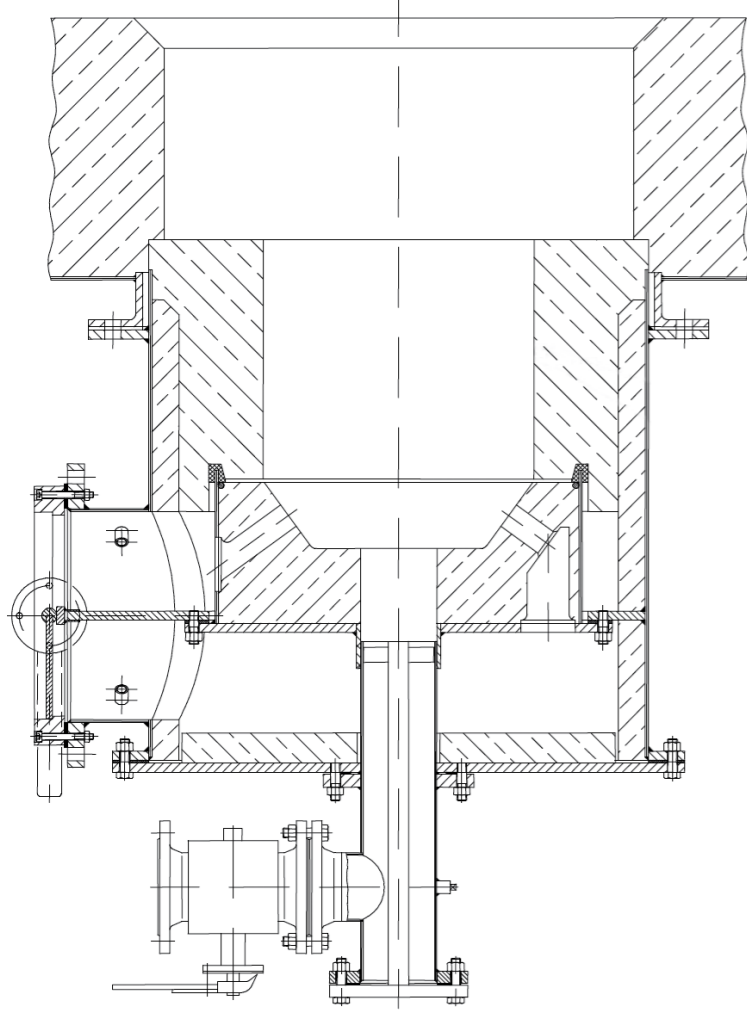
bwei@bloomcomb.com
www.bloomcomb.com

For a Clean Future.

BLOOM ENGINEERING (EUROPA) GMBH

Services

- Basic and detail engineering for sinter burners and gas trains
- Supply of sinter burners and peripheral equipment
- Upgrading of existing sinter burners and plant components
- Supply of ignition systems
- Rebuild, repair and increasing of capacity of existing sinter burner systems
- Spare parts distribution
- Service and commissioning



Rear side of a sinter burner



Burner for coke oven gas 8 MW



Air baffle of a sinter burner

S-1030-xxx Burner Applied to Sinter Ignition Furnace

Product Features

- Secure ignition of coke oven gas through high mixing and combustion velocity at short flame
- Suitable for cold air as well as for warm air up to about 500 °C
- Control range 1 : 5 for gas; control range 1 : 10 for air
- Big air baffle protecting all metallic parts of burner from back-radiation of furnace
- Rugged design with low maintenance
- Application-oriented construction
- High impulse with air pressure of only 15 - 30 mbar through special air baffle
- Full air impulse at only 1/3 of nominal burner capacity through three-way-valve and special air baffle

References (Excerpt)

- Sinter burners for India: 9 plants
- Sinter burners for South Afrika: 2 plants
- Sinter burners for Spain: 2 plants
- Sinter burners for United Kingdom: 2 plants
- Sinter burners for Brazil: 2 plants
- Sinter burners for Germany: 3 plants
- Sinter burners for Italy, Morocco, Sweden, Austria, Turkey, Gabon, Taiwan and Korea